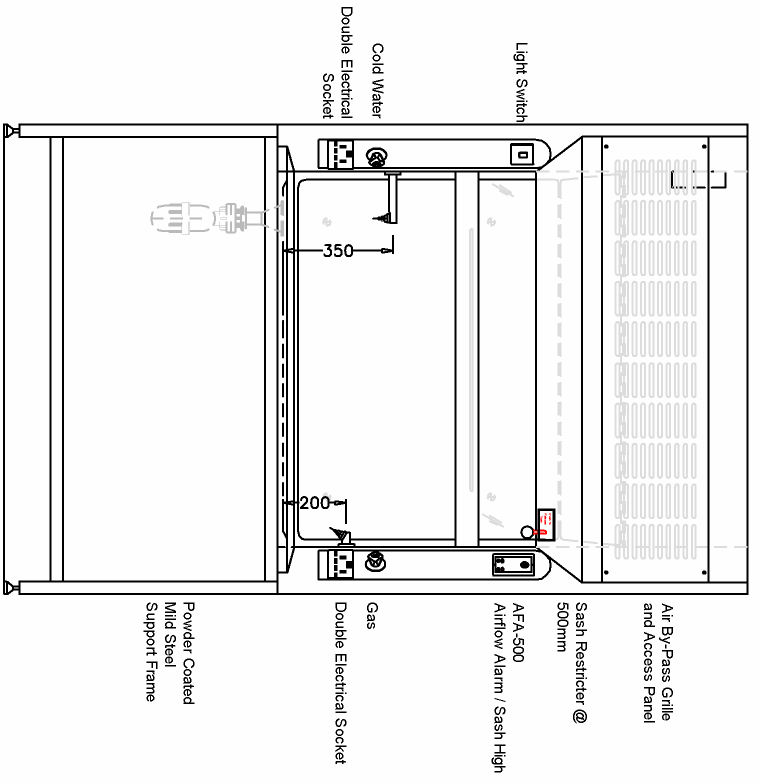
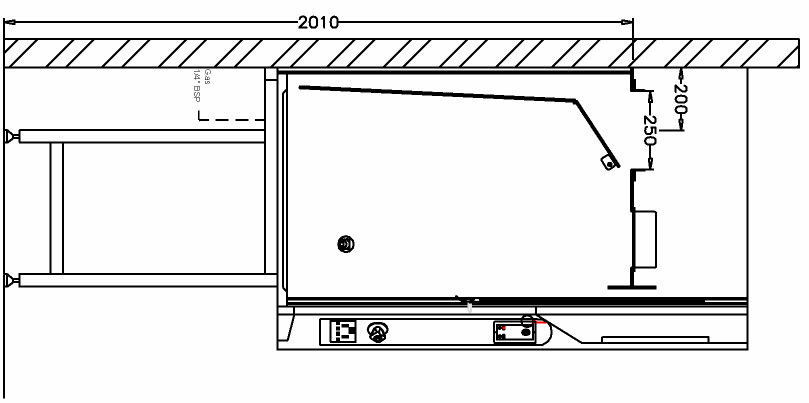


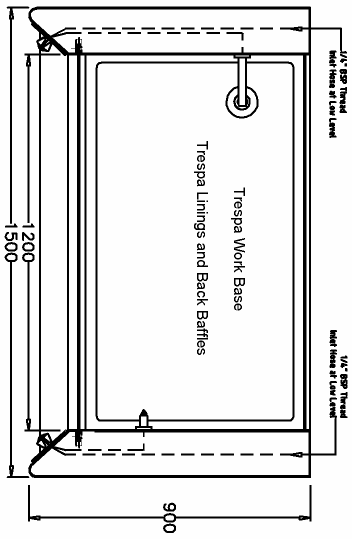
Side Elevation



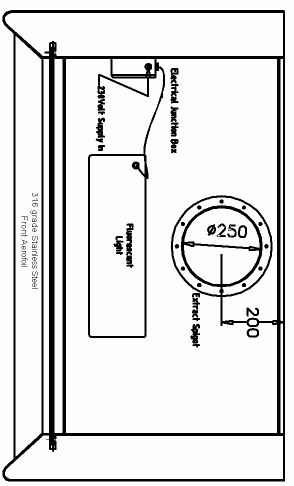
Front Elevation



Side Elevation



Workbase View



Soffit View

<p>Integrated Laboratory Services Ltd Phone: 0440 1423 8370 / Fax: 0440 1423 8188 sales@intropos.com www.intropos.com</p>	
<p>No part of this drawing may be reproduced or transmitted in any form or by any means, electronic or mechanical, for any purpose, without the express written permission of Integrated Laboratory Services Ltd. This drawing is the property of Integrated Laboratory Services Ltd.</p>	
Client:	
Project:	
Drawing Title:	K8 Series 1500mm Fume Cupboard
Date:	Scale: 1:10
Drawn By:	TC
Contract Ref:	Checked:
Drawing No:	
Rev:	Detail
	Date